

REVISION RECORD			

6

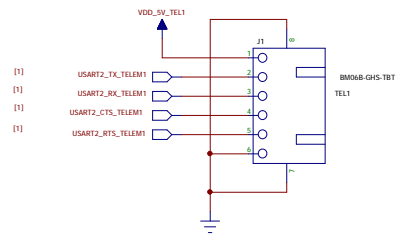
5

4

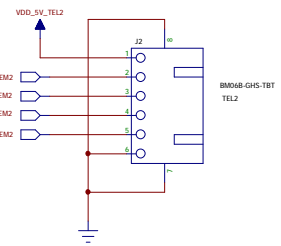
3

2

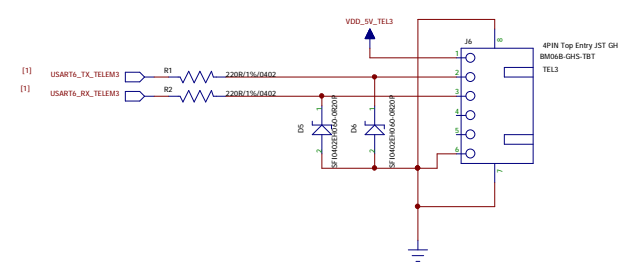
1



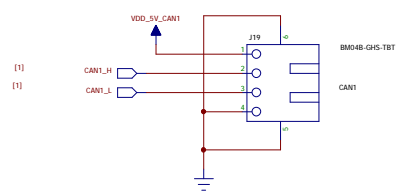
- [1] USART2_TX_TELEM1
- [1] USART2_RX_TELEM1
- [1] USART2_CTS_TELEM1
- [1] USART2_RTS_TELEM1



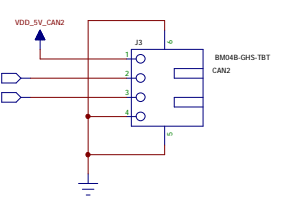
- [1] USART3_TX_TELEM2
- [1] USART3_RX_TELEM2
- [1] USART3_CTS_TELEM2
- [1] USART3_RTS_TELEM2



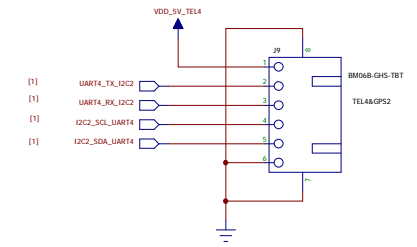
- [1] USART6_TX_TELEM3
- [1] USART6_RX_TELEM3



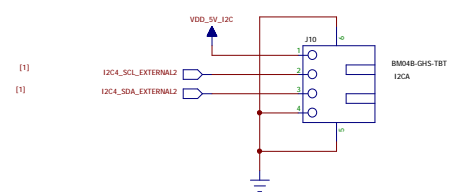
- [1] CAN1_H
- [1] CAN1_L



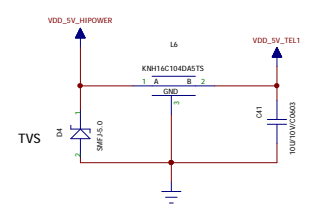
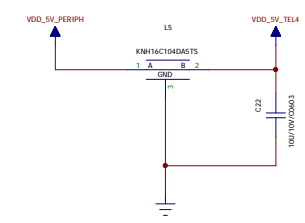
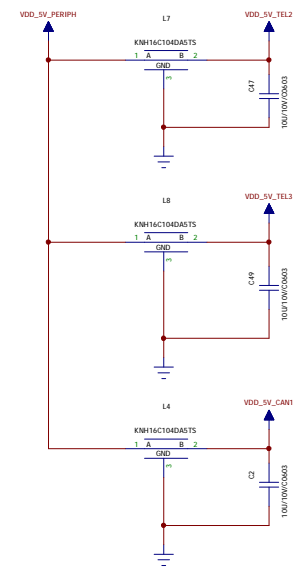
- [1] CAN2_H
- [1] CAN2_L



- [1] UART4_TX_I2C2
- [1] UART4_RX_I2C2
- [1] I2C2_SCL_UART4
- [1] I2C2_SDA_UART4



- [1] I2C4_SCL_EXTERNAL2
- [1] I2C4_SDA_EXTERNAL2



COMPANY: **Holybro**

TITLE: **PIX32-V5-BASE**

DRAWN: Jamming	DATED: 2020/02/25
CHECKED: Jamming	DATED: 2020/02/28
QUALITY CONTROL:	DATED:
RELEASED: Jamming	DATED: 2020/04/23

CODE: 028	SIZE: A2	Sheet: UART-I2C-CAN	REV: RC02
SCALE: 1:1		SHEET: 2 of 5	

6

5

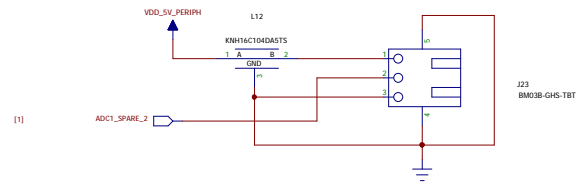
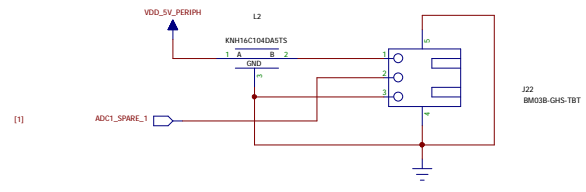
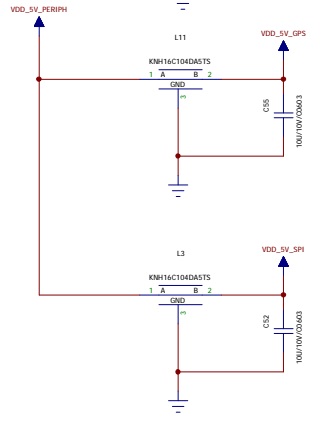
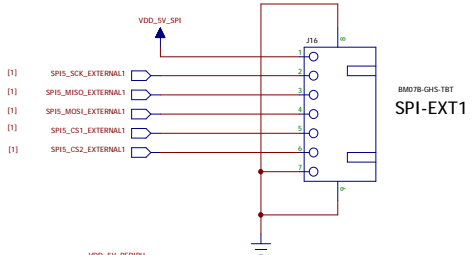
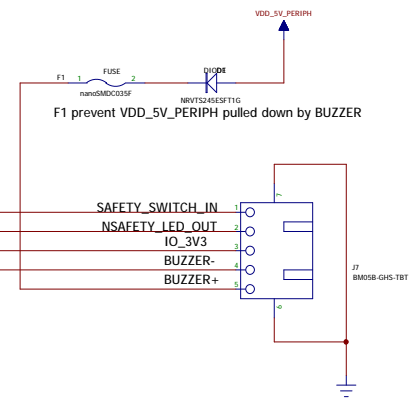
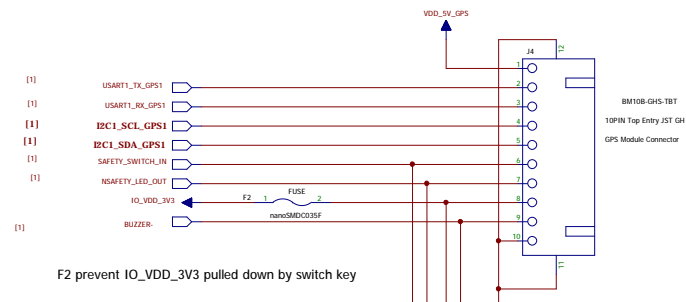
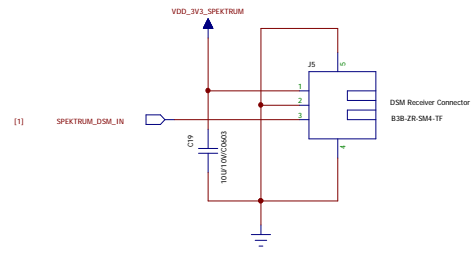
4

3

2

1

REVISION RECORD			
LTR	ECO NO.	APPROVED:	DATE:



COMPANY: Holybro			
TITLE: PIX32-V5-BASE			
DRAWN: Jamming	DATED: 2020/02/25	CODE: 028	SIZE: A2
CHECKED: Jamming	DATED: 2020/02/28	Sheet: GPS-SPI-RC	REV: RC02
QUALITY CONTROL:	DATED:	SCALE: 1:1	
RELEASED: Jamming	DATED: 2020/04/23	SHEET: 3 of 5	

D

C

B

A

D

C

B

A

6

5

4

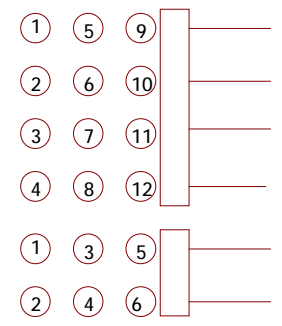
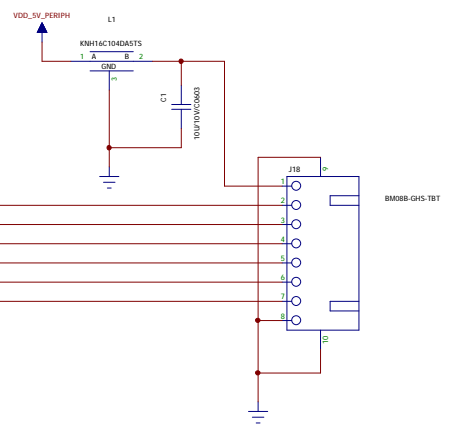
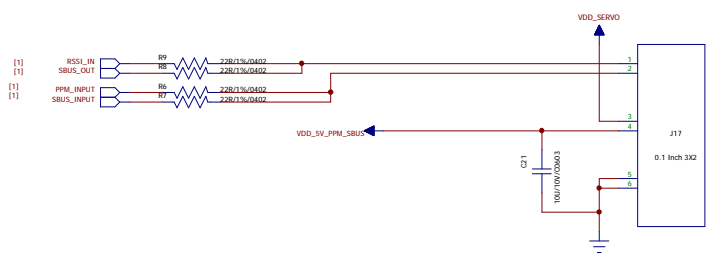
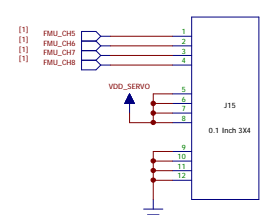
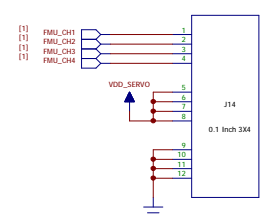
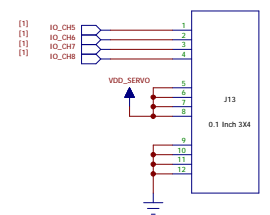
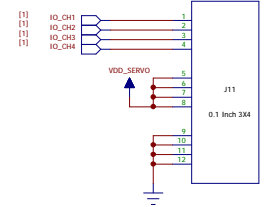
3

2

1

REVISION RECORD			
LTR	ECO NO:	APPROVED:	DATE:

ESD Componets are placed on FMU Board
No additional ESD protect is required here



COMPANY: **Holybro**

TITLE: **PIX32-V5-BASE**

DRAWN: Jamming	DATED: 2020/02/25	CODE: 028	SIZE: A2	DRAWING NO: Servo Out	REV: RC02
CHECKED: Jamming	DATED: 2020/02/28				
QUALITY CONTROL:	DATED:	SCALE: 1:1		SHEET: 4 of 5	
RELEASED: Jamming	DATED: 2020/04/23				

6

5

4

3

2

1

REVISION RECORD			

D

D

C

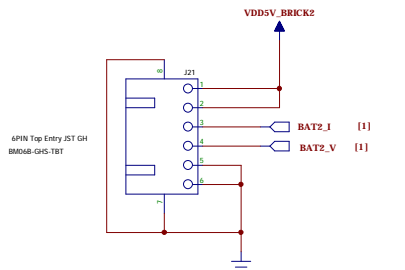
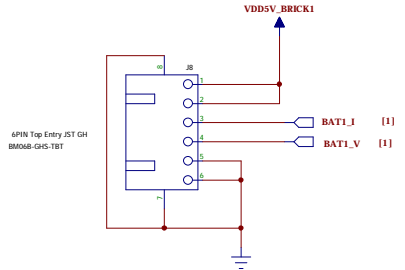
C

B

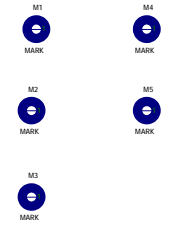
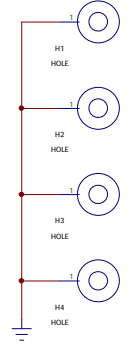
B

A

A



4 hole,M3



COMPANY: **Holybro**

TITLE: **PIX32-V5-BASE**

DRAWN:	Jamming	DATED:	2020/02/25
CHECKED:	Jamming	DATED:	2020/02/28
QUALITY CONTROL:		DATED:	
RELEASED:	Jamming	DATED:	2020/04/23

CODE:	SIZE:	SHEET:	REV:
028	A2	BAT-SENSE	RC02
SCALE: 1:1		SHEET: 5 OF 5	